



JSG-69

Disc & Belt Sander

JR012 1 ~230V 50Hz

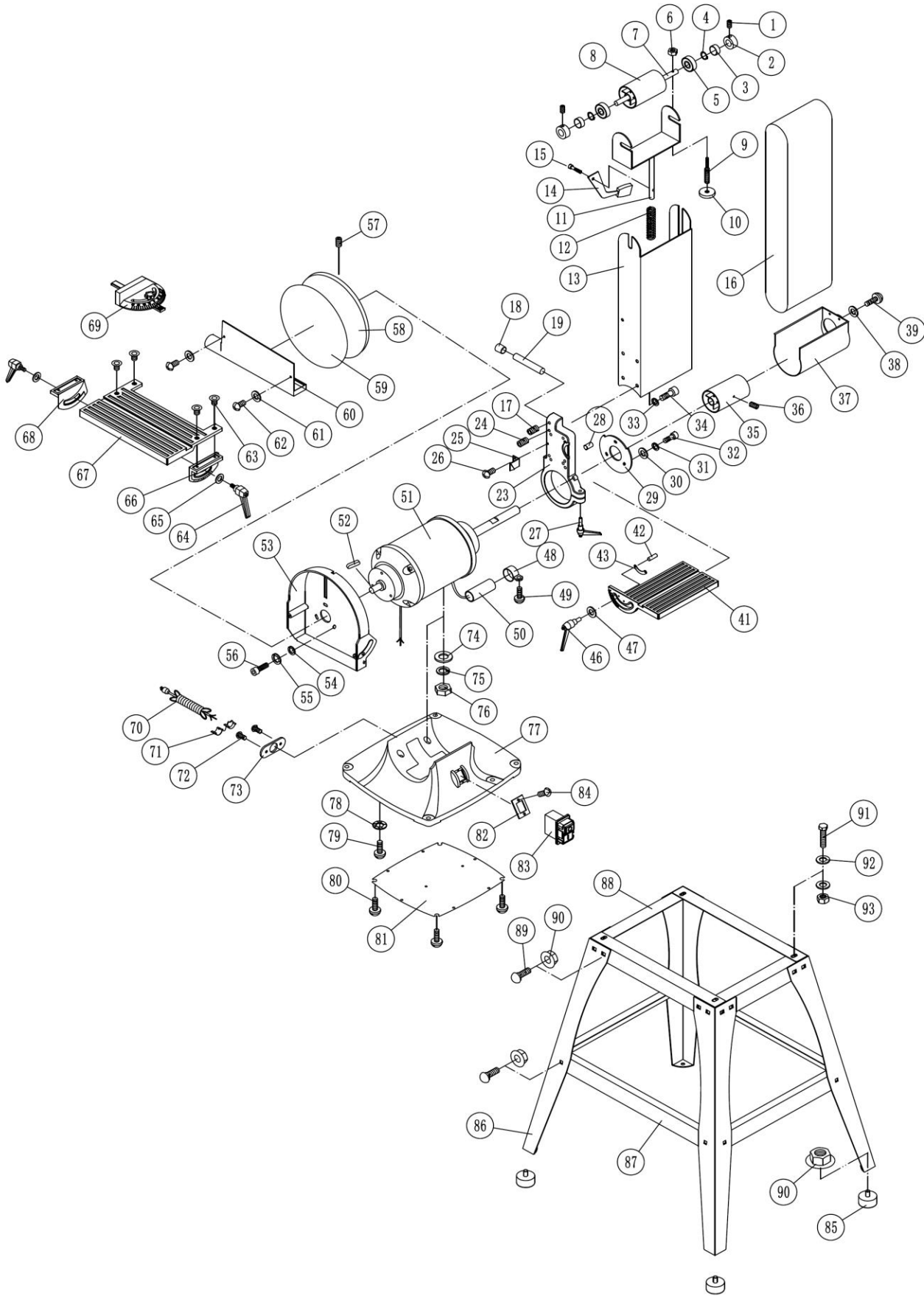
PARTS LIST



Импортер в РФ: ООО «ИТА Технолоджи»
105082, Москва, Переведеновский пер., д. 17
www.jettools.ru
Made in PRC / Сделано в КНР

P-JR012 2025-08

Parts Breakdown for JSG-69 Disc & Belt Sander



Parts List for JSG-69 Disc & Belt Sander

Index No.	Part No.	Description	Size	Qty
1	GB80	Socket Set Screw	M5x6	2
2	JSG69-002	Collar		2
3	JSG69-003	Rubber Bushing		2
4	GB/T894.1	Retaining Ring	12	2
5	GB/T276	Ball Bearing	6201-RS	2
6	GB889.1	Hex Lock Nut	M6	1
7	JSG69-007	Idler Drum Shaft		1
8	JSG69-008	Idler Drum		1
9	JSG69-009	Stud		1
10	JSG69-010	Thumb Nut		1
11	JSG69-011	Idler Drum Bracket		1
12	JSG69-012	Spring		1
13	JSG69-013	Platen		1
14	JSG69-014	Belt Tension Lever		1
15	JSG69-015	Hex Head Bolt		1
16	JSG69-016	Abrasive Belt		1
17	GB80	Socket Set Screw	M8x6	1
18	JSG69-018	Bumper		1
19	JSG69-019	Rod		1
23	JSG69-023	Pivot Bracket		1
24	JSG69-024	Socket Set Screw	M8x10	4
25	JSG69-025	Anger Pointer		1
26	GB818	Pan Head Screw	M5x8	1
27	GB70.1	Socket Head Cap Screw	M8x28	1
28	GB/T879	Spring Pin	6x15	1
29	JSG69-029	Pivot Limmit Plate		1
30	GB95-1999	Flat Washer	6mm	3
31	GB93-1998	Lock Washer	6mm	3
32	GB/T2676	Socket Pan Head Screw	M6x12	3
33	GB93	Lock Washer	8mm	4
34	GB70.1	Socket Head Screw	M8x20	4
35	JSG69-035	Drive Drum		1
36	JSG69-036	Set Screw	M8x10	2
37	JSG69-037	Belt Dust Chute		1
38	GB95	Flat Washer	5mm	2
39	GB818	Pan Head Screw	M5x10	2
41	JSG69-041	Belt Work Table		1
42	GB/T879	Spring Pin	4x10	2
43	JSG69-043	Angle Guide Plate		1
46	JSG69-046	Lock Handle		1
47	JSG69-047	Flat Washer	Φ8xΦ24x2	1
48	JSG69-048	Capacitor Clamp		1
49	GB818	Pan Head Screw	M5x8	1
50	JSG69-050	Capacitor		1
51	JSG69-051	Motor Assembly		1
52	JSG69-052	Key	5x5X25	1
53	JSG69-053	Disc Guard		1
54	GB95	Flat Washer	6mm	3
55	GB93	Lock Washer	6mm	3
56	GB/T2676	Socket Pan Head Screw	M6x12	3
57	GB818	Set Screw	M8x10	1
58	JSG69-058	Aluminum Disc		1
59	JSG69-059	Abrasive Disc		1

Parts List for JSG-69 Disc & Belt Sander

Index No.	Part No.	Description	Size	Q'ty
-----------	----------	-------------	------	------

60	JSG69-060	Disc Dust Chute		1
61	GB95	Flat Washer	5mm	2
62	GB818	Pan Head Screw	M5x10	2
63	GB70.3	Flat Head Screw	M6x15	4
64	JSG69-064	Lock Handle		2
65	GB95	Flat Washer	φ 10xφ20x2	2
66	JSG69-066	Right Trunnion		1
67	JSG69-067	Disc Table		1
68	JSG69-068	Left Trunnion		1
69	JSG69-069	Miter Gauge		1
70	JSG69-070	Power Cord		1
71	JSG69-071	Strain Relief		1
72	GB818	Pan Head Screw	M5x10	2
73	JSG69-073	Strain Relief Plate		1
74	GB95	Flat Washer	6mm	4
75	GB93	Lock Washer	6mm	4
76	GB6170	Hex Nut	M6	4
77	JSG69-77	Base		1
78	GB862.2	Serriated Washer	5mm	1
79	GB818	Pan Head Screw	M5x8	1
80	GB818	Pan Head Screw	M5x8	4
81	JSG69-81	Base Cover		1
82	JSG69-82	Switch Plate		1
83	JSG69-83	Switch		1
84	GB818	Pan Head Screw	M5x10	2
85	JSG69-85	Foot		4
86	JSG69-086	Leg		4
87	JSG69-087	Brace		4
88	JSG69-088	Top Frame		4
89	GB/T12	Carriage Bolt	M8X16	24
90	GB/T6170	Washer Head Hex Nut	M8	28
91	GB5780	Hex Head Bolt	M8X45	4
92	GB95	Flat Washer	8mm	8
93	GB/T6170	Hex nut	M8	4
	JSG69-WL	JET Warning Label (Not shown)		1
	JSG69-ID	JET ID Label (Not shown)		1
	JSG69-ML	JET Motor Label (Not shown)		1
	JET-LOGO	JET Logo with Adhesive (Not shown)		1
	JET Model Logo	JET Model Logo with Adhesive		1

Wiring Diagram for JSG-69 Disc & Belt Sander

	colour of strands	Litzenfarben	couleur des cordons
BK	black	schwarz	noir
WH	white	weiß	blanc
BU	blue	blau	bleu
YE	yellow	gelb	jaune
RD	red	rot	rouge
BN	brown	braun	brun
GY	grey	grau	gris
GNYE	green-yellow	grün-gelb	vert-jaune
OG	orange	orange	orange
VT	violet	violett	violet

	meaning of symbol	Bedeutung der Zeichen	interprétation
M	motor	Motor	moteur
S	switch	Schalter	interrupteur
C	condenser	Kondensator	condensateur
E	electronic unit	Elektronik Einheit	unité électronique
F	fuse	Sicherung	fusible
RS	reversing switch	Drehrichtungsschalter	commu. droite/gauche
CS	centrifugal switch	Fliehkraftschalter	déclencheur centrifuge
OL	overload cut-off	Überlastschuttschalter	déclencheur surcharge
L	machine lamp	Maschinenleuchte	lampe
LS	limit switch	Positionsendschalter	micro

JR012..... ~ 230V, 50Hz

